

HOT WATER

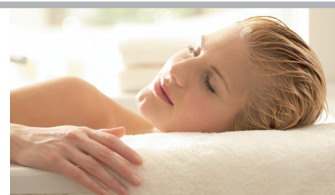
RENEWABLES

WATER FILTERS

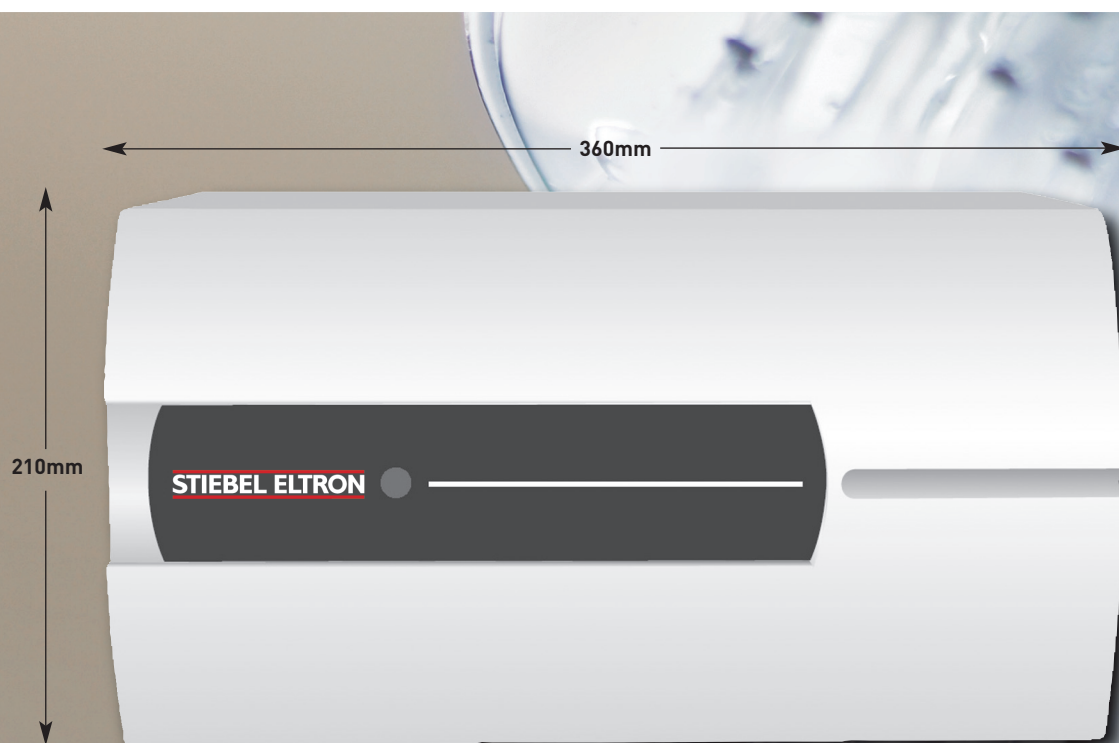
ROOM HEATING

# SimpleX

## 3 PHASE HOT WATER



THE WATER HEATER GERMANS LOVE MOST



**STIEBEL ELTRON**  
HOT WATER SYSTEMS

EST. 1924

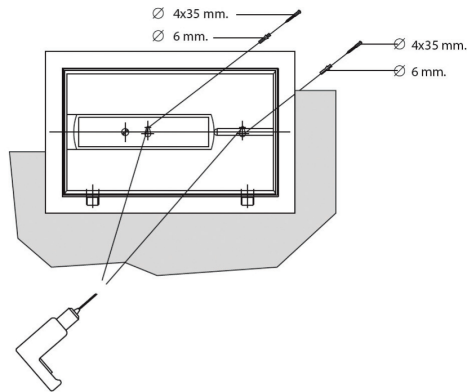
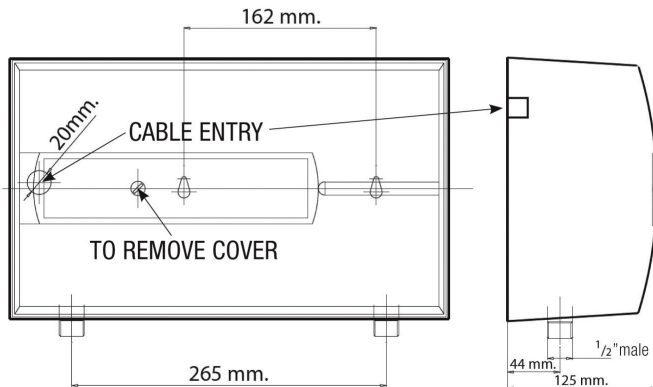
# TECHNICAL DATA:

REPLACES YOUR EXISTING 3 PHASE WATER HEATER WITH IDENTICAL MEASUREMENTS.



## SimpleX installation instructions and technical information:

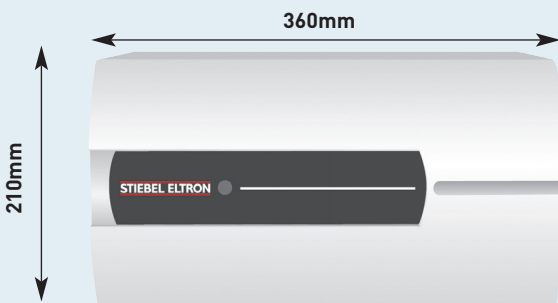
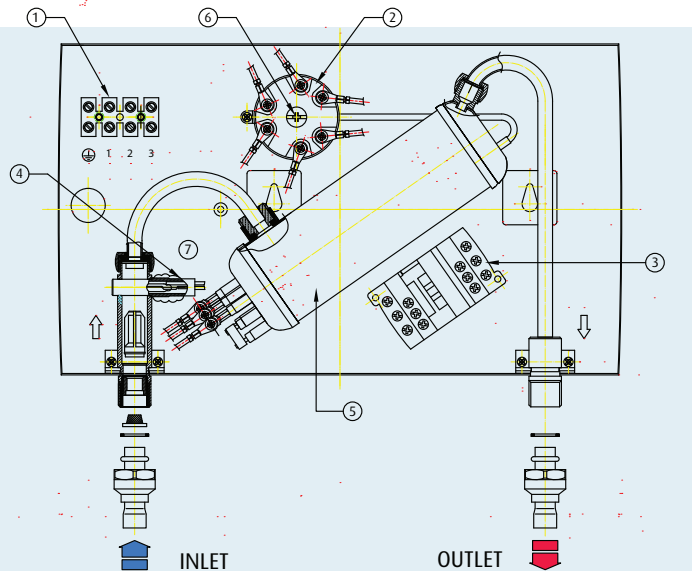
### WALL MOUNTING



### Legend

- |                     |                        |                 |
|---------------------|------------------------|-----------------|
| 1. Terminal Block   | 2. Thermal Cut-out AS3 | 3. Contactor    |
| 4. Reed Flow Switch | 5. Tank and Element    | 6. Reset Switch |
| 7. Flow Control     |                        |                 |

\*For water supply higher than rated max working pressure, install approved pressure reducing device before the water heater.



### Silent operation and energy efficient

- ✓ No pressure relief valve required
- ✓ Silent water flow
- ✓ Uses existing plumbing
- ✓ 7.5 Litres per min @ 25°C rise
- ✓ IP24 rating
- ✓ 2 year warranty – domestic
- ✓ Australian Standards WaterMark
- ✓ Ideal for 1 bathroom dwellings

### Technical Data

Type	SimpleX
Design	Pressurised
Rated max. working pressure	1000kpa (10 bar)
Capacity	500ml
Protection class	IP24
Water connection	1/2" male
Electrical connection	3 phase 415 V.A.C.
Rated power @ 3 ph. 415V	4400w/ph. 20 amps/ph
Switch on flow 1/min	4.0

Distributed by:

**HIGGINS AGENCIES**

Ph: 08 9467 7505 ORDERS ONLY Fax: 08 9467 7507

[www.higgins-agencies.com.au](http://www.higgins-agencies.com.au)

Email: [sales@higgins-agencies.com.au](mailto:sales@higgins-agencies.com.au)

**STIEBEL ELTRON**

HOT WATER SYSTEMS



WaterMark  
AS 3498 Lic W301  
Standards Australia

[www.stiebel.com.au](http://www.stiebel.com.au)