



RHEEM® ELECTRIC STORAGE – SMALLER CAPACITY



ELECTRIC

25L
-
80L

DELIVERY

7
YEAR

WARRANTY¹

Indoor/
Outdoor

INSTALLATION

FEATURES

- Designed for restricted space installations
- Dual handed models available for easy installation in tight places especially in under bench cupboards
- Small diameter – 385mm (25L) & 400mm (50L)*
- Recessed Plug Fittings
- Plug & lead models available (25 & 50L)
- Safe for wall mounting
- Rheem reliability
- 7 Year cylinder warranty¹

WHY CHOOSE RHEEM

- Made in Australia
- Backed by over 70 years of Rheem water heating experience
- Capacities to suit every application and hot water requirement
- Mains pressure water delivery for water that comes on steady, hot and strong!
- Full technical support through Rheem's National Service Network



COMES ON STEADY, HOT AND STRONG

INSTALL A





RHEEM® ELECTRIC STORAGE – SMALLER CAPACITY

DESIGNED FOR EASY INSTALLATION

Whilst suitable for both indoor and outdoor installation, Rheem 25L, 50L and 80L electric water heaters have been specifically designed for convenient under bench or laundry installations.

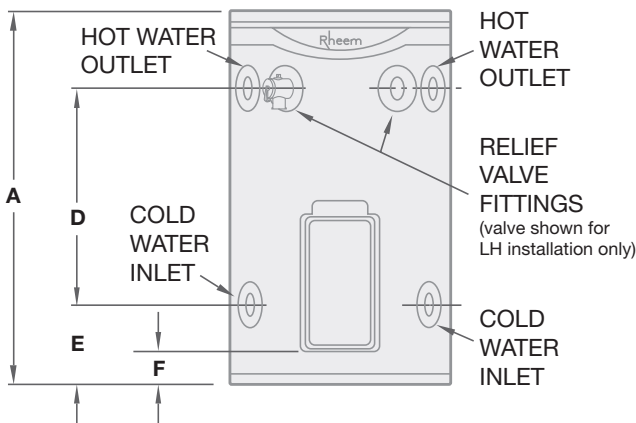
The dual handed fittings on the 50L make it more convenient for installation as no matter which way the unit is rotated all fittings are accessible, making it easier to install into tight spaces. Left and right handed 80L models available.

With a diameter of just 400mm* the dual handed 50 litre model is ideal for installations where space is limited.

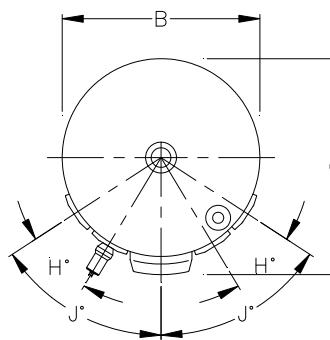
MODEL				
Rheemglas Single Element		111 025	191 M50 191 M50 / P†	111 080
Right Hand Model		–	–	171 080
Hot Water Delivery	Litres	18	50	80
kW Rating	1.8	✓	✓	✓
	2.4	✓	✓	✓
	3.6	✓	✓	✓
	4.8	–	✓	✓
Dimensions				
A	mm	390	695	940
B	mm	385	400*	480
C	mm	420	429	515
D	mm	130	397	702
E	mm	116	142	64
F	mm	75	80	84
H	degrees	26	26	23
J	degrees	65	59	58
Approx. Weight (Empty)	kg	18	29	35

ACCESSORIES	
	Part No.
Wall Mounting Bracket	299120

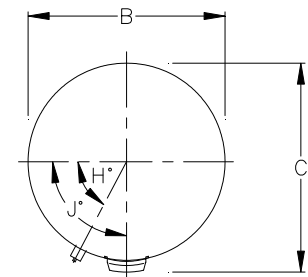
†Plug and lead model available in 2.4kW Rating only.
 Plug & lead model is suitable for indoor installation only.
 *400mm diameter applies to product manufactured after 17/07/2012.



DUAL HANDED CONNECTIONS



LEFT HAND CONNECTIONS
 (RIGHT HAND CONNECTIONS ARE REVERSE)



MKT-BR-RD-SMELEC_0612

¹ Warranty: 7 Years on Cylinder, 3 Years Labour on Cylinder, 1 Year Parts & Labour warranty on all other components for Domestic (non-Commercial) installations. 7 year warranty applies to product manufactured after 1/1/2012. Conditions apply. See the Rheem warranty set out in the Owner's Guide & Installation Instructions or view at www.rheem.com.au/warranty.

^o Registered Trademark of Rheem Australia Pty Ltd.
 Materials and data are subject to change without notice.



Rheem Australia Pty Ltd.

1 Alan Street, Rydalmere, New South Wales 2116, Australia
 PO Box 6, Rydalmere, New South Wales 2116, Australia.

www.rheem.com.au
 Version 1.0 (July 2012)

FLAME_RHEE0046-06/12

