

**ELECTRIC WATER HEATERS**  
**HOT WATER SOLUTIONS PRODUCT GUIDE**



1915 • 2015 | Celebrating 100 years



# WHICH WATER HEATER DO I NEED?

With the number of water heaters available on the market, choosing the right one can be quite a challenge.

If you're looking to replace an existing electric storage water heater, the Proflo range is ideal. With water connections on both sides of the tank and a variety of sizes to choose from, replacement is quick and easy.

If you're serious about reducing your carbon footprint, consider a Sunpro solar hot water system with electric booster.

Or if your home doesn't have the right orientation or roof space to install solar collectors, the Airoheat is an excellent environmentally friendly choice and doesn't require solar panels.

## BEFORE YOU MAKE A DECISION ABOUT WHICH HOT WATER SYSTEM IS RIGHT FOR YOUR HOME, THINK ABOUT:

- How much hot water you use daily
- Whether the size of your hot water system is sufficient for your household
- How much space you have
- How environmentally conscious you'd like to be
- Your budget
- Whether the system will be located inside or outside
- If selecting solar, whether you have adequate north facing roof space for collectors



# proflo<sup>®</sup> for homes of all sizes

TOUGH BUT STYLISH HOT WATER SYSTEMS THAT WILL GO THE DISTANCE.

If you're looking to replace an existing electric storage water heater, Proflo is an ideal solution - available in a variety of tank sizes for homes of all sizes and delivering full mains pressure.

- Easy installation, with water connections on both sides of tank
- Low maintenance and long service life
- Full flow pressure to all outlets
- Can be installed indoors or out
- Hard-wearing, tough polymer end plates resist damage and moisture
- Available in single element and twin element (315L and 400L only)
- Steel tank features rock-hard Duro-namel<sup>®</sup> vitreous enamel to maximise tank life and durability
- 7-year tank warranty, including 1-year full parts and labour\*

**7**  
**YEAR**  
**WARRANTY\***



| NO. OF ADULTS & CHILDREN |               | CAPACITY |
|--------------------------|---------------|----------|
| Continuous Tariff        | Off Peak      |          |
| 1 adult icon             |               | 25L      |
| 2 adult icons            |               | 50L      |
| 3 adult icons            |               | 80L      |
| 4 adult icons            |               | 125L     |
| 5 adult icons            | 3 adult icons | 160L     |
| 6 adult icons            | 4 adult icons | 250L     |
| 7 adult icons            | 5 adult icons | 315L     |
| 8 adult icons            | 6 adult icons | 400L     |

Adult icon can represent dishwasher or washing machine.  
 Continuous Tariff: Provides power so that your water can be heated at any time of the day or night.  
 Off Peak; Generally only provides power for your water heater for between 6-12 hours a night - check with your local electricity retailer for details of off-peak hours.

SO MANY SIZES FOR HOT WATER  
YOU CAN'T GO WRONG.



# airoheat® *air-sourced heat pump*

**POWERFUL, EFFICIENT AND ENVIRONMENTALLY FRIENDLY.**

If your home doesn't offer suitable roof space and orientation for installing solar collectors, Airoheat is the next best choice in environmentally friendly water heaters, without the need for solar panels.

Working like a refrigerator but in reverse, it takes air in from outside the tank and uses it to heat water. Its patented in-tank heating coil ensures direct heat transfer, eliminating exposure to heat loss issues often associated with other styles of heat pump.



- Composite condensation tray is designed for rapid drainage in high rainfall areas
- Dual anodes provide greater protection against tank corrosion
- Patented in-tank heating coil to improve heat transfer
- Improved thermal efficiency minimises heat loss due to a fully insulated storage tank and a robust refrigeration system
- Water connections on both sides of tank provide easy installation
- 5-year tank warranty, 2-year refrigerant components, 1-year full parts and labour\*

**5  
YEAR  
WARRANTY\***



| airoheat® <i>heatpump</i> |                     |     |
|---------------------------|---------------------|-----|
| CAPACITY (L)              | PEOPLE <sup>1</sup> |     |
| 250                       |                     | 3-5 |

| PRODUCT CODE:<br>D2FHG4HW0C | STC ZONE* |    |    |    |                 |  |
|-----------------------------|-----------|----|----|----|-----------------|--|
|                             | 1         | 2  | 3  | 4  | 5 <sup>†</sup>  |  |
| 250L HEAT PUMP              | 22        | 21 | 26 | 27 | 27 <sup>†</sup> |  |

<sup>†</sup>Refer to [www.dux.com.au/zones](http://www.dux.com.au/zones) for postcodes in Zone 5.  
STC values are subject to change without notice and are correct at time of printing. STCs calculations are based on continuous tariff. Size figures are based on environmental averages which can effect the performance of solar and heat pump heaters. Adult icon can represent dishwasher or washing machine. Based on connection to continuous tariff.

**AUSTRALIA'S MOST HIGHLY AWARDED  
ENVIRONMENTAL WATER HEATER**

# sunpro® *free energy from the sun*

## OUTSTANDING EFFICIENCY TO HELP REDUCE ENERGY BILLS.

If you're aiming to reduce your carbon footprint, choose the Sunpro electric solar water heater. Sunpro uses the sun's energy to heat water via solar panels. It also an electric booster, ensuring hot water on cloudy days or in times of high demand.

Sunpro will save you money on energy bills, providing an economical, sustainable hot water solution for years to come.

- Next generation split system design provides flexible installation locations without the need for expensive roof reinforcement
- Multi-temperature sensors on a vitreous enamel tank configuration enable optimum solar gain while reducing the risk of overheating
- High performance collectors ensure efficient transfer of heat to water
- Patented Hotlogic® processor maximises energy from the sun
- In instances of minimal solar gain, an internal element heats the top half of the tank
- 5-year tank and panel warranty, 1-year parts and labour\*

**5  
YEAR  
WARRANTY\***



CAPACITY (L) PEOPLE<sup>1</sup>

|     |  |     |
|-----|--|-----|
| 250 |  | 2-4 |
| 315 |  | 3-5 |
| 400 |  | 4-7 |

### DID YOU KNOW...

Dux® solar water heaters are supplied with a genuine Reliance® brand Dux® Solar tempering valve adjusted to Dux® specifications to ensure maximum hot water delivery.

**sunpro® solar**

STC ZONE\*

**COLLECTORS**

|      |            |   | <b>1</b> | <b>2</b> | <b>3</b> | <b>4</b> |
|------|------------|---|----------|----------|----------|----------|
| 250L | D2F136T2AC | 2 | 38       | 41       | 36       | 32       |
| 315L | D3F136T2AC | 2 | 38       | 42       | 37       | 32       |
| 400L | D4F136T3AC | 3 | 44       | 45       | 45       | 40       |



STC values are subject to change without notice and are correct at time of printing. STCs calculations are based on continuous tariff. Size figures are based on environmental averages which can effect the performance of solar and heat pump heaters. Adult icon can represent dishwasher or washing machine. Based on connection to continuous tariff.

**INVIGORATING HOT WATER  
IN ANY KIND OF WEATHER**

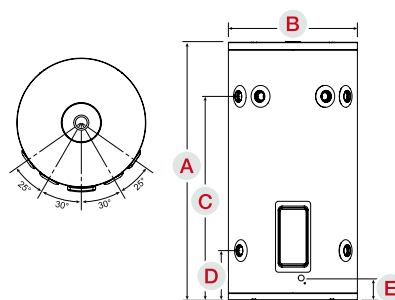
# PROFLO<sup>®</sup> ELECTRIC STORAGE

## proflo small electric

| SPECIFICATIONS              | 25W124P <sup>^</sup> | 25W1     | 50W124P <sup>^</sup> | 50W1     |
|-----------------------------|----------------------|----------|----------------------|----------|
| Storage Capacity (L)        | 31                   | 31       | 53                   | 53       |
| Hot Water Delivery (L)      | 25                   | 25       | 50                   | 50       |
| Net Weight Empty (kg)       | 17                   | 17       | 22                   | 22       |
| Element Sizes (kW)          | 2.4                  | 2.4, 3.6 | 2.4                  | 2.4, 3.6 |
| Relief Valve Pressure (kPa) | 1000                 | 1000     | 1000                 | 1000     |
| Max Inlet Pressure (kPa)    | 800                  | 800      | 800                  | 800      |

<sup>^</sup> Proflo Plug-in model (plugs into standard power point)

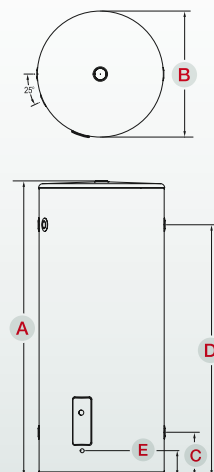
| DIMENSIONS (MM)           | 25L | 50L |
|---------------------------|-----|-----|
| <b>A</b> Overall Height   | 452 | 695 |
| <b>B</b> Overall Diameter | 405 | 405 |
| <b>C</b> Hot Water Outlet | 280 | 520 |
| <b>D</b> Cold Water Inlet | 155 | 155 |
| <b>E</b> Electrical Entry | 67  | 67  |



## proflo large electric

| SPECIFICATIONS                  | 80F1          | 125S1    | 160S1    | 250S1 | 315S1 | 315S2 TWIN ELEMENT | 400S1 | 400S2 TWIN ELEMENT |
|---------------------------------|---------------|----------|----------|-------|-------|--------------------|-------|--------------------|
| Storage Capacity (L)            | 88            | 130      | 165      | 259   | 321   | 321                | 415   | 415                |
| Hot Water Delivery Rating (L)   | 80            | 125      | 160      | 250   | 315   | 315                | 400   | 400                |
| Twin Element Boost Capacity (L) | -             | -        | -        | -     | -     | 60                 | -     | 88                 |
| Element Sizes (kW)              | 1.8, 2.4, 3.6 | 1.8, 3.6 | 2.4, 3.6 | 3.6   | 3.6   | 2 x 3.6 or 2 x 4.8 | 3.6   | 2 x 3.6            |
| Net Weight Empty (kg)           | 40            | 50       | 60       | 72    | 93    | 93                 | 110   | 110                |
| Relief Valve Pressure (kPa)     | 1400          | 1400     | 1400     | 1000  | 1000  | 1000               | 1000  | 1000               |
| Max Inlet Pressure (kPa)        | 1120          | 1120     | 1120     | 800   | 800   | 800                | 800   | 800                |

| DIMENSIONS (MM)           | 80L | 125L | 160L | 250L | 315L | 400L |
|---------------------------|-----|------|------|------|------|------|
| <b>A</b> Overall Height   | 925 | 1090 | 1345 | 1445 | 1765 | 1705 |
| <b>B</b> Overall Diameter | 490 | 530  | 530  | 620  | 620  | 705  |
| <b>C</b> Cold Water Inlet | 160 | 190  | 190  | 195  | 195  | 220  |
| <b>D</b> Hot Water Outlet | 735 | 865  | 1120 | 1210 | 1530 | 1445 |
| <b>E</b> Electrical Entry | 85  | 100  | 100  | 105  | 105  | 130  |



All Dux proflo water heaters are dual-handed for ease of installation and operate at 240V AC single phase electricity supply.

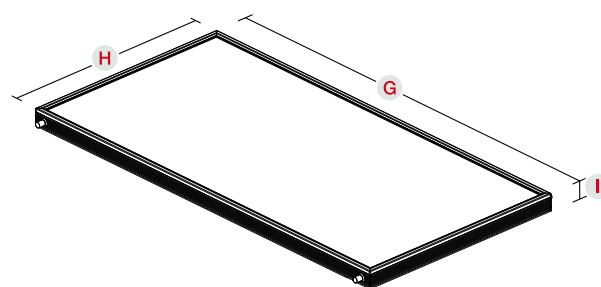
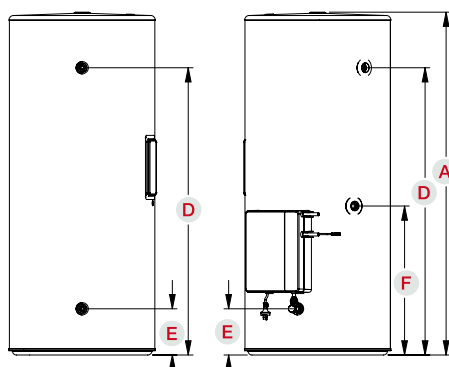
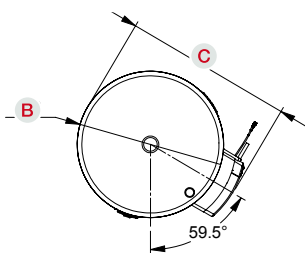
# SUNPRO® ELECTRIC BOOSTED SOLAR

|                             | <b>sunpro®</b> |        |        |
|-----------------------------|----------------|--------|--------|
| <b>TANK SPECIFICATIONS</b>  | 2F136S         | 3F136S | 4F136S |
| Storage Capacity (L)        | 259            | 321    | 415    |
| Element Boost Capacity (L)  | 120            | 150    | 215    |
| Net Tank Weight Empty (kg)  | 80             | 91     | 113    |
| Relief Valve Pressure (kPa) | 1000           | 1000   | 1000   |
| Max Inlet Pressure (kPa)    | 800            | 800    | 800    |

| <b>PANEL SPECIFICATIONS</b> | 2AP                 |
|-----------------------------|---------------------|
| Total Area (m²)             | 2                   |
| Weight Without Water (kg)   | 43                  |
| Glass Thickness (mm)        | 3.2                 |
| Glass Material              | Toughened, Low Iron |

| <b>DIMENSIONS (MM)</b> | 250L | 315L | 400L |
|------------------------|------|------|------|
| <b>A</b> Tank Height   | 1445 | 1765 | 1705 |
| <b>B</b> Tank Diameter | 620  | 620  | 705  |
| <b>C</b> Tank Width    | 715  | 715  | 800  |
| <b>D</b> Outlet        | 1210 | 1530 | 1445 |
| <b>E</b> Inlet         | 195  | 195  | 220  |
| <b>F</b> Solar Return  | 630  | 840  | 640  |

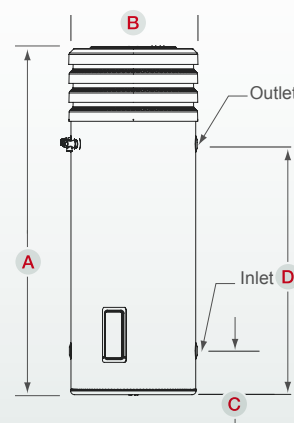
| <b>PANEL DIMENSIONS (MM)</b> |      |
|------------------------------|------|
| <b>G</b> Panel Height        | 2015 |
| <b>H</b> Panel Width         | 1080 |
| <b>I</b> Panel Depth         | 85   |



# AIROHEAT® HEAT PUMP SYSTEM

|   | <b>airoheat®</b> |
|---|------------------|
| <b>SPECIFICATIONS</b>                   | D2FHG4HW0C       |
| Storage Capacity (L)                    | 250              |
| Net Weight Empty (kg)                   | 107              |
| Power Consumption (General Tariff - kW) | 1.2              |
| Max Water Supply Pressure (kPa)         | 800              |
| Relief Valve Pressure (kPa)             | 1000             |
| Rated Voltage                           | 240V ac          |

| <b>DIMENSIONS (MM)</b> |      |
|------------------------|------|
| <b>A</b> System Height | 1710 |
| <b>B</b> System Width  | 660  |
| <b>C</b> Inlet         | 195  |
| <b>D</b> Outlet        | 1210 |



Not suitable for installation in alpine areas or areas above 1000m.



1915 - 2015 | Celebrating 100 years

1300 365 116

[dux.com.au](http://dux.com.au)

## \*WARRANTY

Warranty terms and conditions are in the product's Owners Manual.  
visit [www.dux.com.au/warranty-terms](http://www.dux.com.au/warranty-terms) for full details and conditions which apply.

Sales: 1300 365 116 Service: 1300 365 115 or visit [dux.com.au](http://dux.com.au) for more.

© Dux Manufacturing Limited ABN 19 077 879 844. Lackey Rd, PO Box 209 Moss Vale, NSW 2577.

The information supplied was correct at time of printing. Specification and materials may change without notice.

® and ™ Trademarks of Dux Manufacturing Limited. Feb 2015.